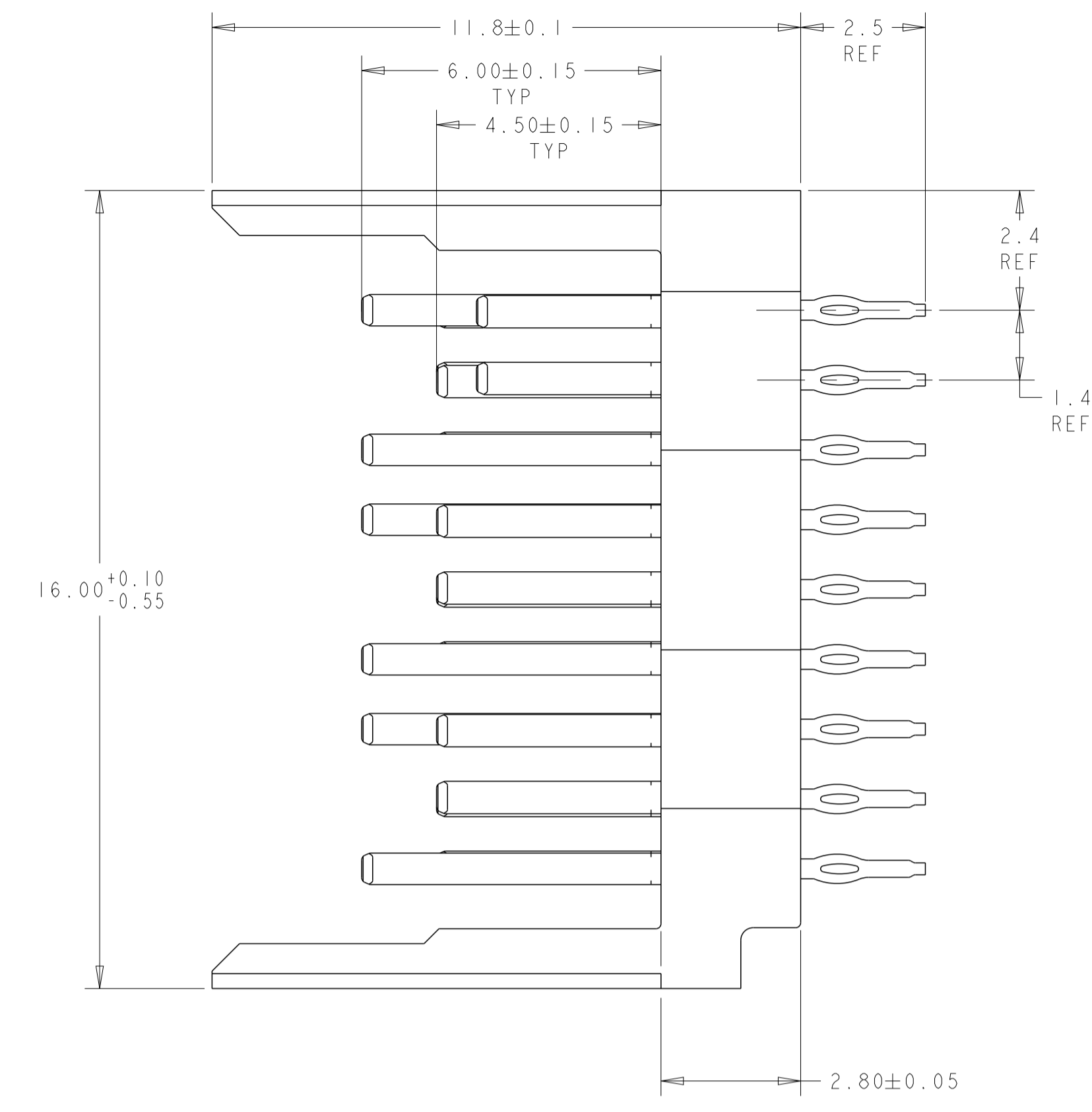
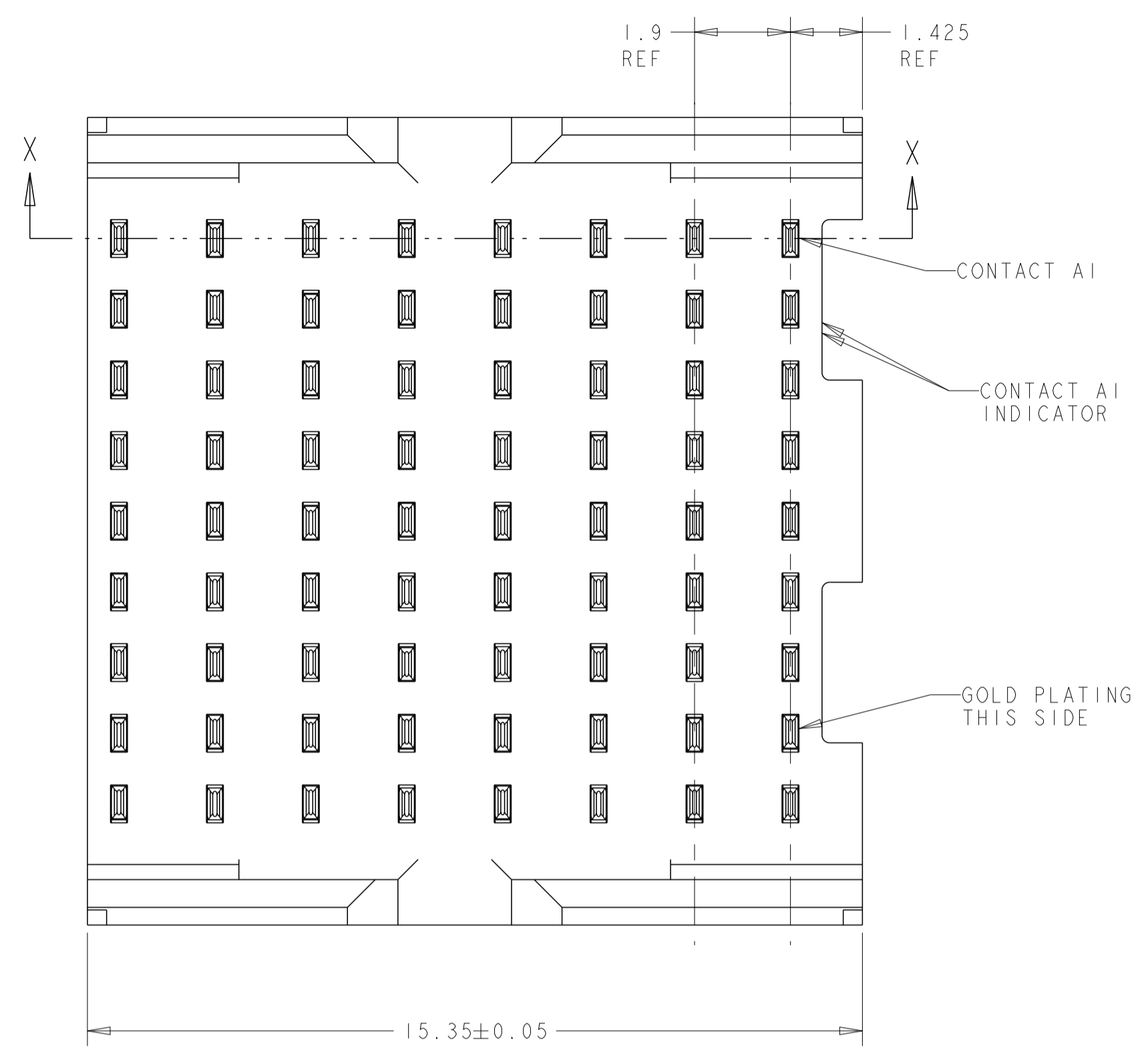
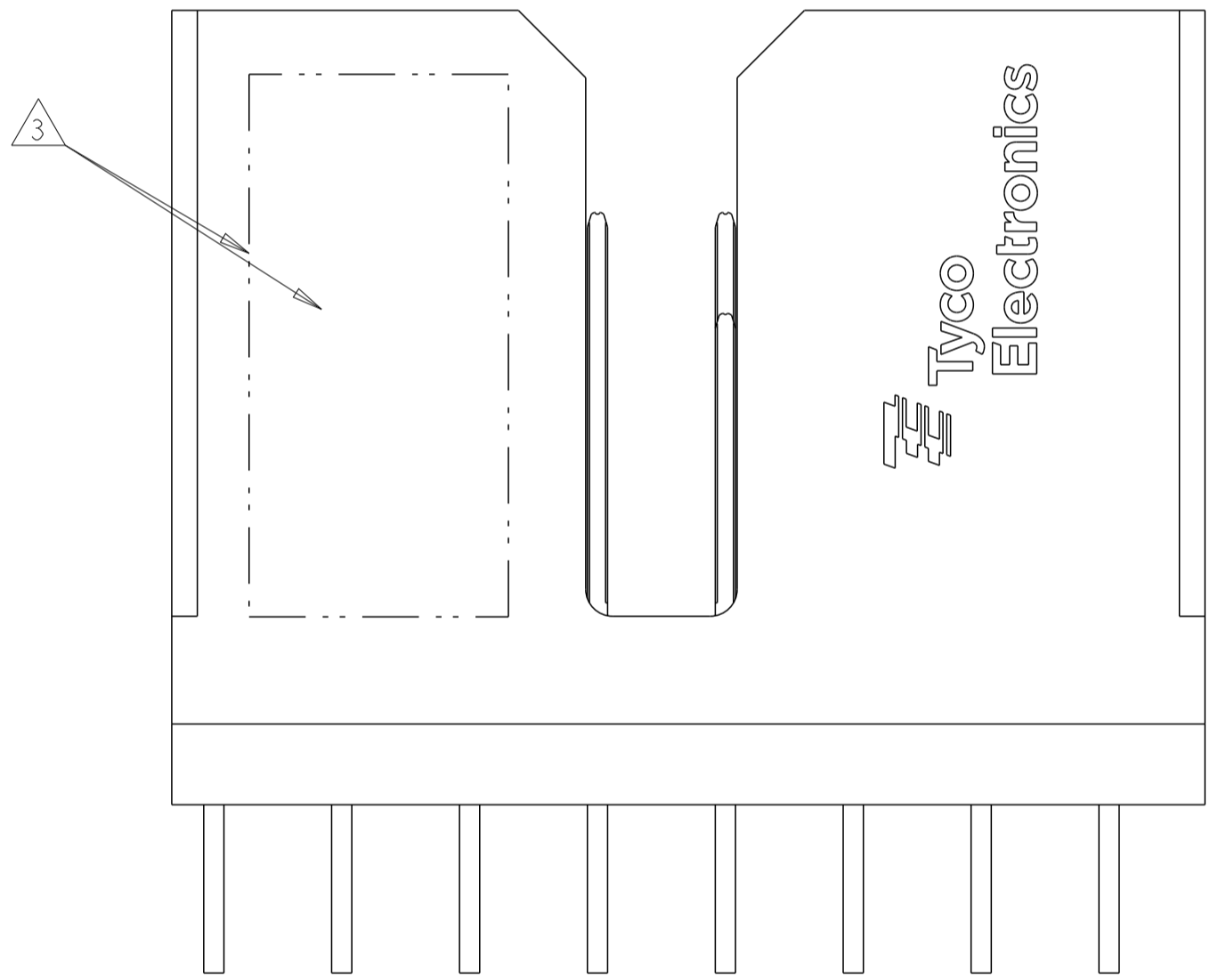


LOC	DIST	REVISIONS			
AD	00	REV	DATE	BY	APPD
		D	REVISED PER ECO-13-002460	15FEB2013	KH RP

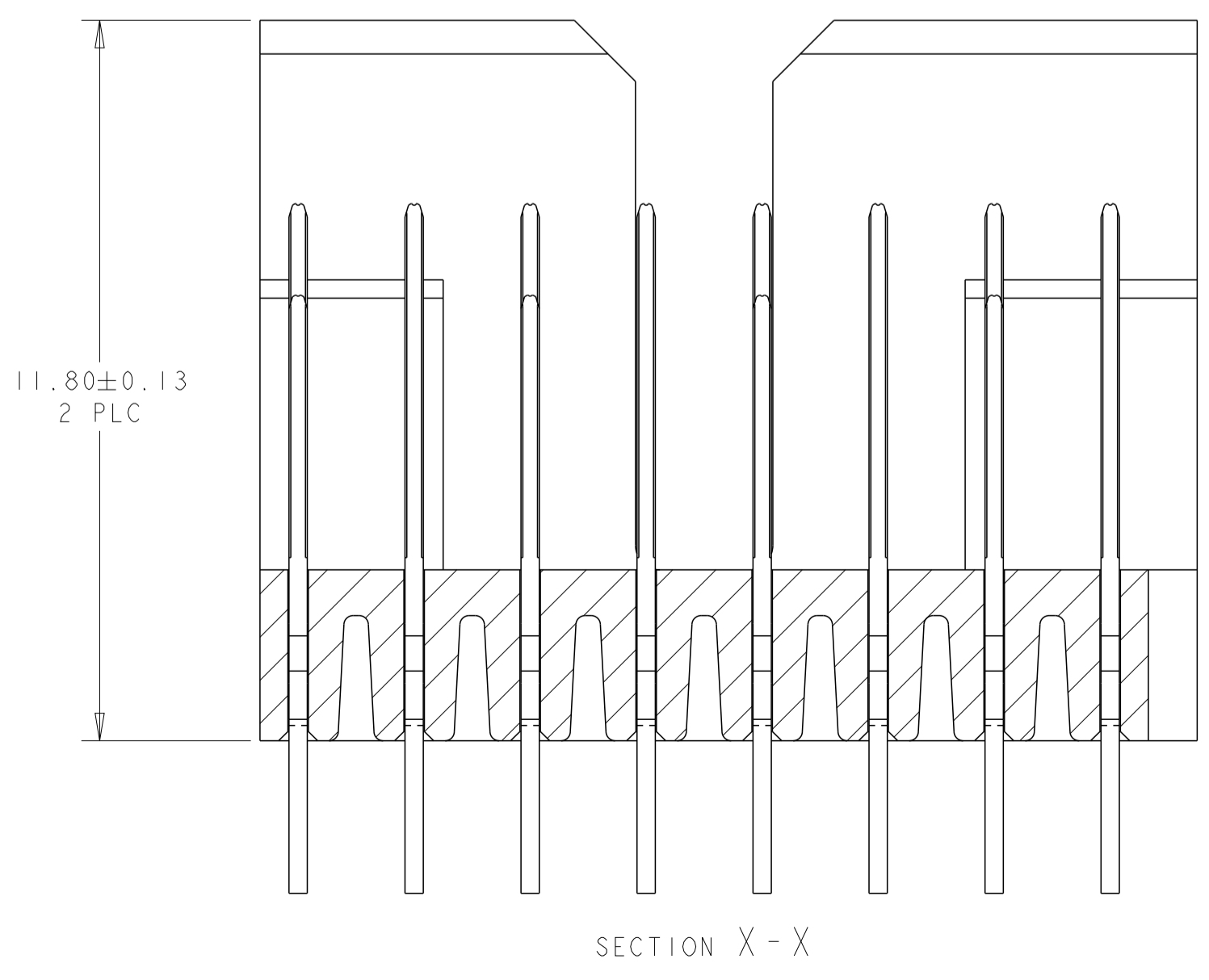
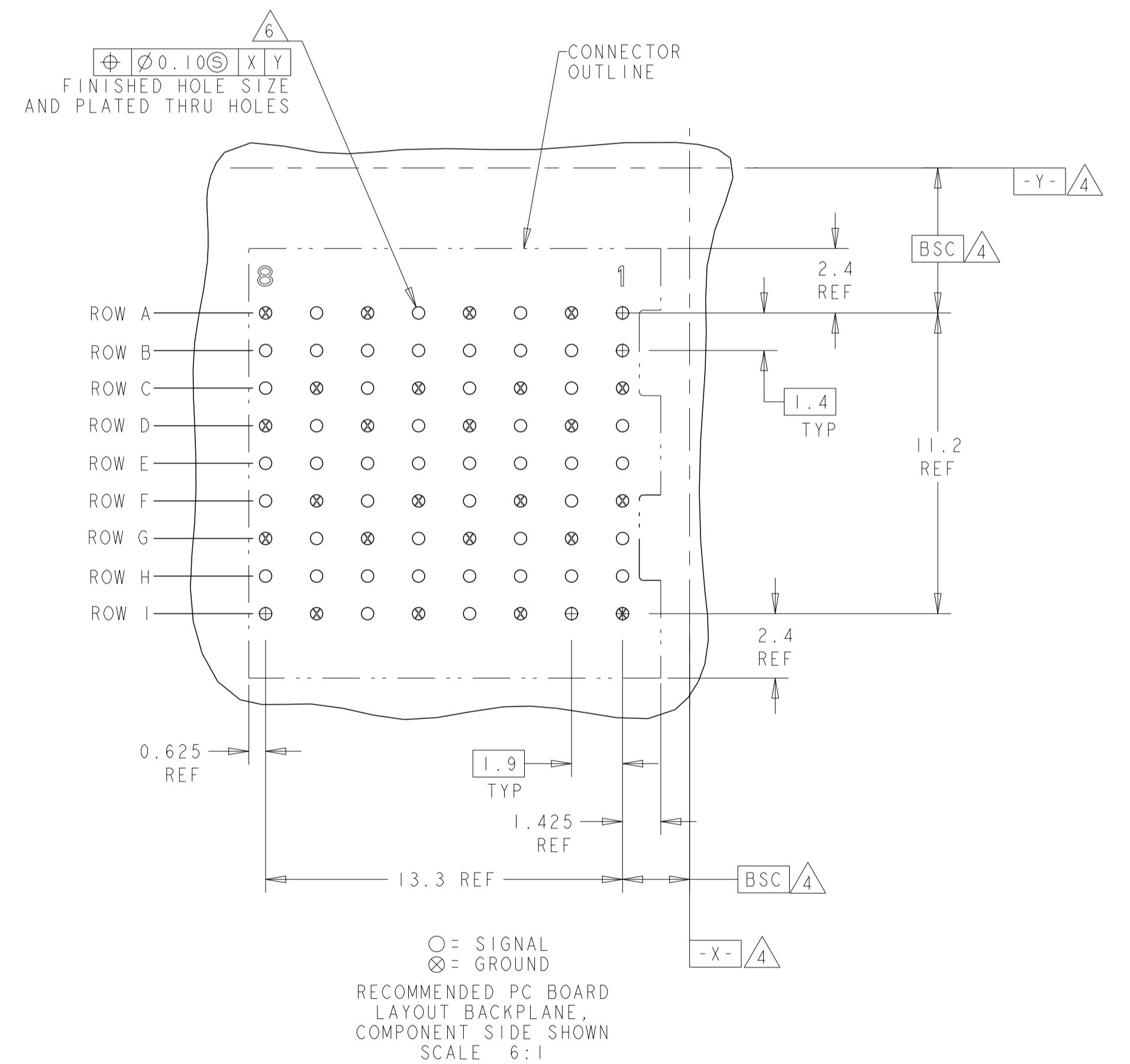


- 1 MATERIAL:  
CONTACT - PHOS BRONZE  
HOUSING - LCP, UL 94V-0, COLOR - BLACK
- 2 FINISH:  
CONTACT AREA FINISH CONFORMS TO THE REQUIREMENTS OF TE PRODUCT SPECIFICATION 108-2303; BASED ON TELCORDIA GR-1217-CORE FOR SYSTEM QUALITY LEVEL III APPLICATIONS IN CONTROLLED ENVIRONMENTS (CENTRAL OFFICE).  
COMPLIANT PIN AREA-0.5µm MIN BRIGHT TIN-LEAD OVER 1.27µm MIN NICKEL.
- 3 CONNECTOR MARKED WITH PART NUMBER, DATE CODE, MANUFACTURING BUILDING CODE AND STANDARD IN APPROXIMATE AREA SHOWN
- 4 DATUMS AND BASIC DIMENSIONS ESTABLISHED BY CUSTOMER.
- 5 CONTACT AREA LUBRICATED WITH BELLCORE APPROVED LUBRICANT. TECHNICAL REFERENCE GR-1217-CORE, ISSUE 1, NOVEMBER 1995.
- 6 REFERENCE APPLICATION SPEC 114-13202 FOR RECOMMENDED PLATED THRU HOLE DIAMETER AND PLATING THICKNESSES.
- 7 FINISH: CONTACT  
MATING AREA - 0.76µm MIN GOLD OVER 1.27µm MIN NICKEL  
COMPLIANT PIN AREA - 0.5µm MATTE TIN OVER 1.27µm MIN NICKEL



CONTACT LAYOUT  
 A = 4.50mm (DIM M)  
 B = 3.70mm (DIM M)  
 G = GROUND 6.00mm

ROWS	COLUMNS							
	8	7	6	5	4	3	2	1
A	G	A	G	A	G	A	G	B
B	A	A	A	A	A	A	A	B
C	A	G	A	G	A	G	A	G
D	G	A	G	A	G	A	G	A
E	A	A	A	A	A	A	A	A
F	A	G	A	G	A	G	A	G
G	G	A	G	A	G	A	G	A
H	B	A	A	A	A	A	A	A
I	B	G	A	G	A	G	A	G



1	2065915-2
2	2065915-1
FINISH	PART NUMBER

THIS DRAWING IS A CONTROLLED DOCUMENT.

DIMENSIONS:	TOLERANCES UNLESS OTHERWISE SPECIFIED:	OWN: B. CARBO 07JAN2010	CHK: R. PATTERSON 07JAN2010	APVD: R. PATTERSON 07JAN2010	NAME: R. PATTERSON
mm	0 PLC ±	PRODUCT SPEC			APPLICATION SPEC
	1 PLC ±	SIZE: A100779			CAGE CODE: C=2065915
	2 PLC ±	WEIGHT: -			Customer Drawing
	3 PLC ±	SCALE: 10:1			SHEET: 1 OF 1
	4 PLC ±	RESTRICTED TO:			REV: D
ANGLES	±				
FINISH	±				

TE Connectivity  
 HEADER ASSEMBLY, OPEN ENDED,  
 3' PAIR, 8' COLUMN  
 TinMan